

# SFERAX OUV 2032 A

1410.002032.20



## Application

The open ball bearing OUV provides very high precision linear movements, without stroke limitation, without play and practically free of friction and wear. The shaft can be supported all along its length.

## Features

- Full Metal
- High load carrying capacity due to optimal location of the ball tracks.
- Suitable for adjustable play, especially mounted in a plummer block SR-OUV-AL-R.



## INNER DIAMETER D

20 mm



## OUTER DIAMETER D

32 mm



## LENGTH

35 mm

Product Number	1410.002032.20	Tolerance outer diameter	0/-11 $\mu\text{m}$	Cage material	DIN MS60Pb (17660)
Product Designation	SFERAX OUV 2032 A	Tolerance length	0/-250 $\mu\text{m}$	Housing material	DIN 100Cr6 (1.3505)
Net Weight	91 g	Max. eccentricity	<10 $\mu\text{m}$	Number of ball tracks	6
Tare Weight	8 g	Recommended tolerance on the shaft	-5/-9 $\mu\text{m}$	Operating temperature	-30 / +200°C
Outer diameter D	32	Dynamic load capacity	2700	Precision class	A
Inner diameter d	20	Static load capacity N	3000	Recommended shaft quality	I, IIIR
Length	35 mm	Dynamic factor Y	0.000333	Tolerance Bore (pressed mounted)	-2/-9 $\mu\text{m}$
Tolerance Inner diameter	0/-9 $\mu\text{m}$	Diameter balls b	2.500 mm	Tolerance bore (glue mounted)	H6

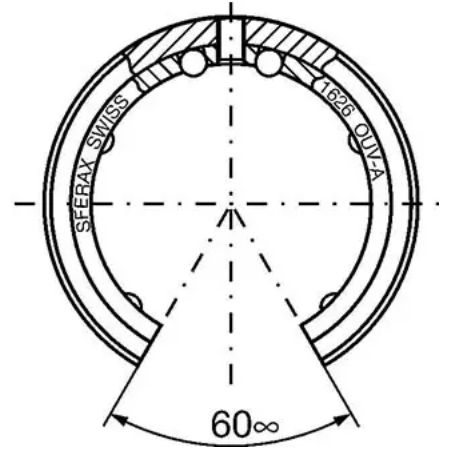
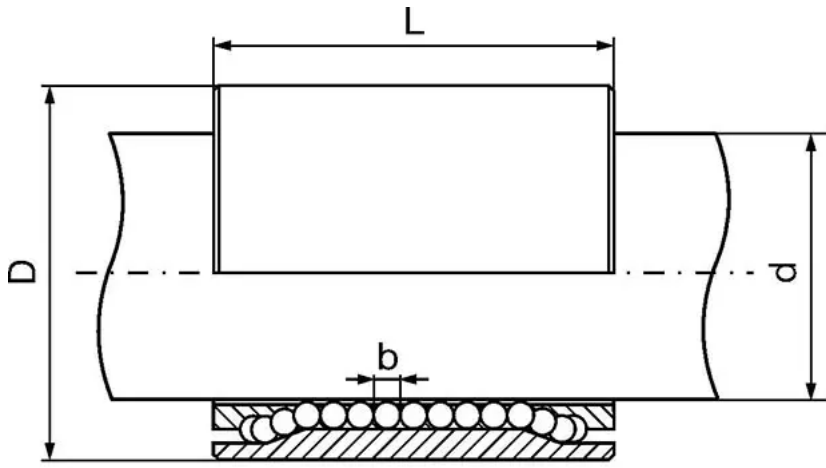
## SFERAX SA

High precision linear bearings and shafts  
CH-2016 Cortaillod — Switzerland  
Tel. : +41 32 843 02 02



# SFERAX

Delivering Swiss Excellence  
Where Quality Matters



**SFERAX SA**

High precision linear bearings and shafts  
 CH-2016 Cortaillod — Switzerland  
 Tel. : +41 32 843 02 02



**SFERAX**

Delivering Swiss Excellence  
 Where Quality Matters